



Rene Swiss Corporation

Rene Swiss Corporation



Product Catalog

CAT Metric Tooling

Phone: 203.879.4822
www.reneswiss.com

Fax: 203.879.0732
rachel@reneswiss.com

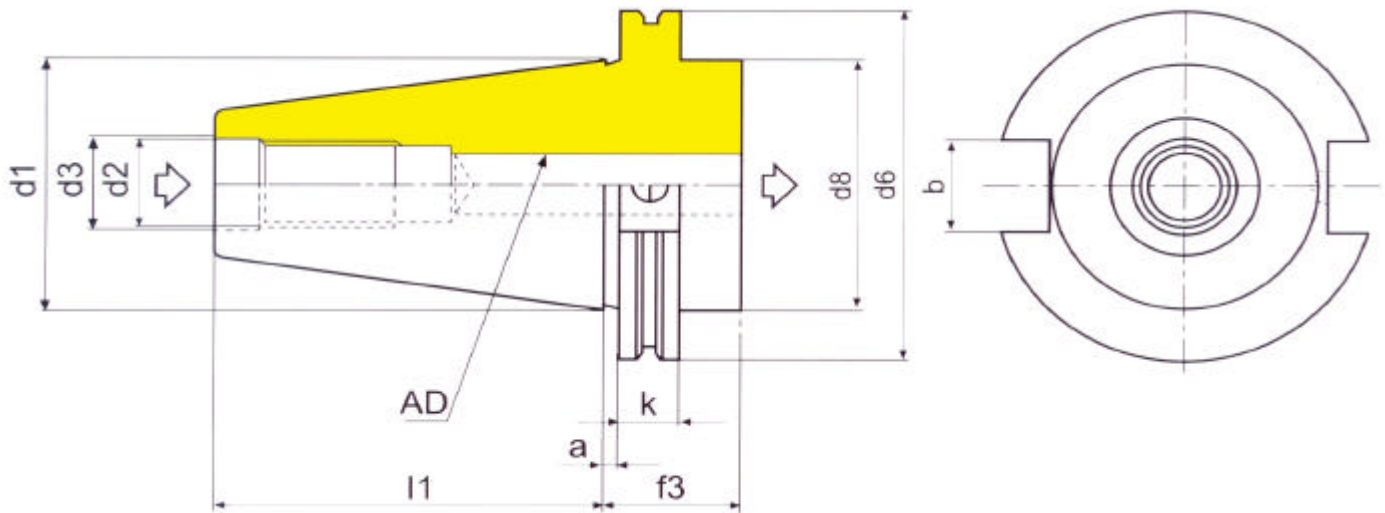
Rev. 1



Rene Swiss Corporation

Shank Dimensions (7/24 Tapers)

Form AD



Taper	d1	d2	d3	d8	d6	l1	a	k	f3	b
CAT 40 M	44.45	M16	17	44.45	63.55	68.4	3.2	15.9	35	16.1
CAT 50 M	69.85	M24	25	69.85	98.42	101.6	3.2	15.9	35	25.7



Technical Features of CAT Metric Tooling

- Our CAT holders are manufactured in Italy with Nickel Chrome Molybdenum Steel
- The toolholders are carburized, hardened and tempered (RC 58 ± 2) black oxidized
- Precision ground on CAT tapers with a tolerance less than << AT 3 >>
- The runout accuracy is guaranteed to be within 0.003/0.007 mm at the tool seat

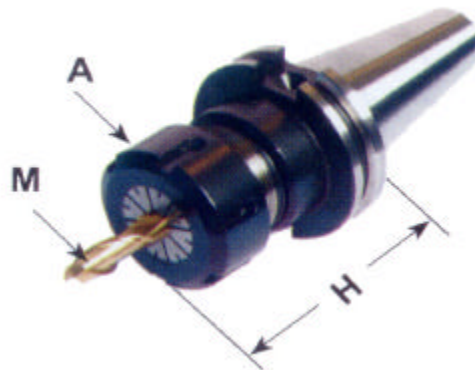


Rene Swiss Corporation

CAT Metric Collet Chucks



Collets DIN 6499/ERC - Mini Nuts				
REF.	Order Number	A	D	
			min.	max
311-100	CAT40M.H100.ERC25M	35	1	16
	CAT40M.H150.ERC25M	25	1	16



Collets DIN 6499/ERC - Standard Nuts				
REF.	Order Number	A	D	
			min.	max
311-102	CAT40M.H70.ERC16	28	1	10
	CAT40M.H100.ERC16	28	1	10
	CAT40M.H70.ERC32	50	2	20
	CAT40M.H100.ERC32	50	2	20
	CAT40M.H160.ERC32	50	2	20
	CAT40M.H80.ERC40	63	3	30
	CAT40M.H100.ERC40	63	3	30



Rene Swiss Corporation

Rene Swiss Corporation



Product Catalog

CAT (USA) Tooling

Phone: 203.879.4822
www.reneswiss.com

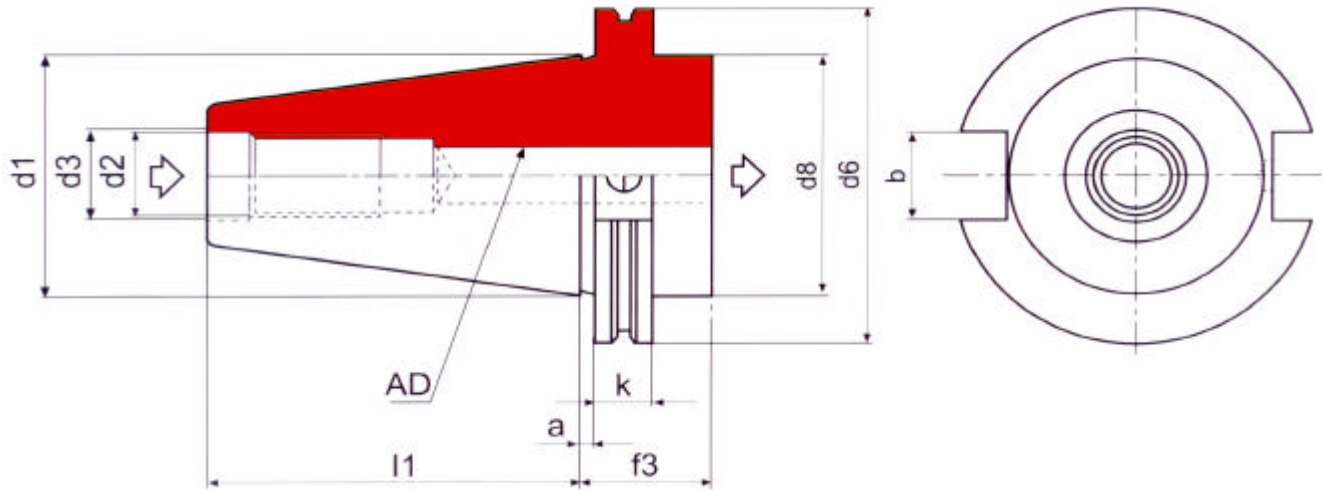
Fax: 203.879.0732
rachel@reneswiss.com

Rev. 1



Rene Swiss Corporation

Shank Dimensions (7/24 Tapers)



Taper	d1	d2	d3	d8	l1	a	k	f3	b
CAT 40	1.75	0.625 - 11	0.641	1.75	2.687	0.125	0.5625	1.375	0.645
CAT 50	2.75	1" - 8	1.031	2.75	4.00	0.125	0.625	1.375	1.02



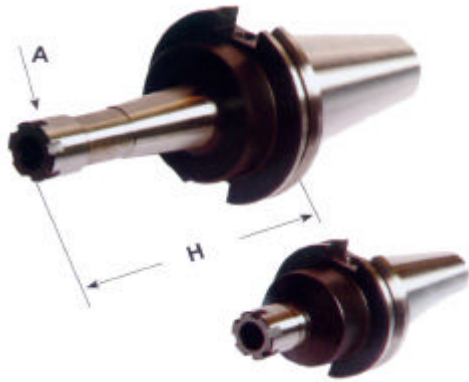
Technical Features of CAT Tooling

- Our CAT holders are manufactured in Italy with Nickel Chrome Molybdenum Steel
- The toolholders are carburized, hardened and tempered (RC 58 ± 2) black oxidized
- Precision ground on CAT tapers with a tolerance less than << AT 3 >>
- The runout accuracy is guaranteed to be within 0.003/0.007 mm at the tool seat

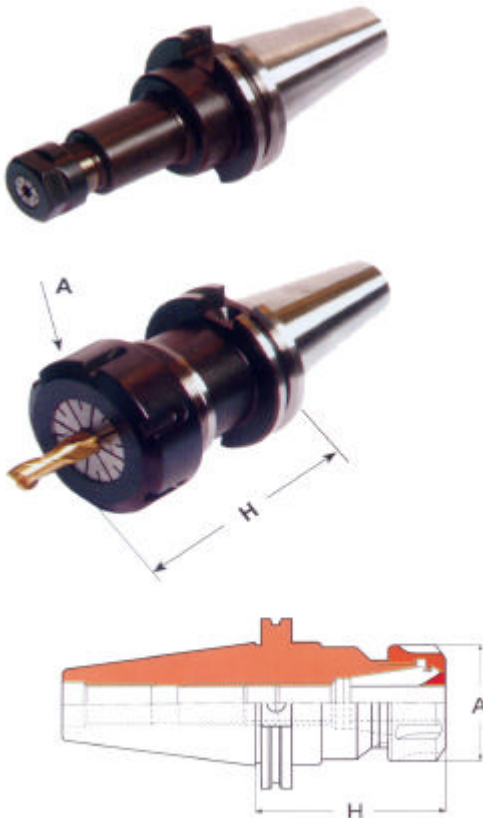


Rene Swiss Corporation

CAT (USA) Collet Chucks



Collets DIN 6499/ERC - Mini Nuts				
REF.	Order Number	A	D	
			min.	max
352-100	CAT40-H2.76-ERC16M	0.866	0.039	0.393
	CAT40-H4.92-ERC16M	0.866	0.039	0.393
	CAT40-H5.31-ERC20M	1.10	0.078	0.511
	CAT40-H5.90-ERC25M	1.37	0.078	0.629
	CAT50-H5.31-ERC16M	0.866	0.039	0.393
	CAT50-H5.31-ERC20M	1.10	0.078	0.511



Collets DIN 6499/ERC - Standard Nuts				
REF.	Order Number	A	D	
			min.	max
352-102	CAT40-H6.00-ERC11	0.75	0.039	0.275
	CAT40-H2.76-ERC16	1.10	0.039	0.393
	CAT40-H4.00-ERC16	1.10	0.039	0.393
	CAT40-H6.00-ERC16	1.10	0.039	0.393
	CAT40-H8.00-ERC16	1.10	0.039	0.393
	CAT40-H2.76-ERC20	1.33	0.078	0.511
	CAT40-H4.00-ERC20	1.33	0.078	0.511
	CAT40-H6.00-ERC20	1.33	0.078	0.511
	CAT40-H2.76-ERC25	1.65	0.078	0.629
	CAT40-H4.00-ERC25	1.65	0.078	0.629
	CAT40-H6.00-ERC25	1.65	0.078	0.629
	CAT40-H2.76-ERC32	1.97	0.078	0.787
	CAT40-H4.00-ERC32	1.97	0.078	0.787
	CAT40-H6.00-ERC32	1.97	0.078	0.787
	CAT40-H8.00-ERC32	1.97	0.078	0.787
	CAT50-H4.00-ERC16	1.10	0.078	0.393
	CAT50-H6.00-ERC16	1.10	0.078	0.393
	CAT50-H4.00-ERC20	1.33	0.078	0.511
	CAT50-H6.00-ERC20	1.33	0.078	0.511
	CAT50-H4.00-ERC25	1.65	0.078	0.629
	CAT50-H6.00-ERC25	1.65	0.078	0.629
	CAT50-H4.00-ERC32	1.97	0.078	0.787
	CAT50-H6.00-ERC32	1.97	0.078	0.787



Rene Swiss Corporation

Rene Swiss Corporation



Product Catalog

BT Tooling

Phone: 203.879.4822
www.reneswiss.com

Fax: 203.879.0732
rachel@reneswiss.com

Rev. 1



Rene Swiss Corporation

BT Tooling Specifications



Technical Features of BT Toolholders

- Our BT holders are manufactured in Italy with Nickel Chrome Molybdenum Steel
- The toolholders are carburized, hardened and tempered (RC 58 ± 2) black oxidized
- Precision ground on CAT tapers with a tolerance less than << AT 3 >>
- The runout accuracy is guaranteed to be within 0.003/0.007 mm at the tool seat



Balancing of BT Toolholders

- **The symmetric BT holders, not counterbalanced, can run up to 10,000/12,000 rpm**
- If the toolholder being ordered requires fine balancing, we can offer the following performances: Grade G 6.3 for 15,000 and 20,000 rpm and Grade G 2.5 for 15,000 or 20,000 or 30,000 rpm (balance of the toolholder body only)
- Each toolholder will be supplied with balancing protocol as prescribed by ISO 1940 specification

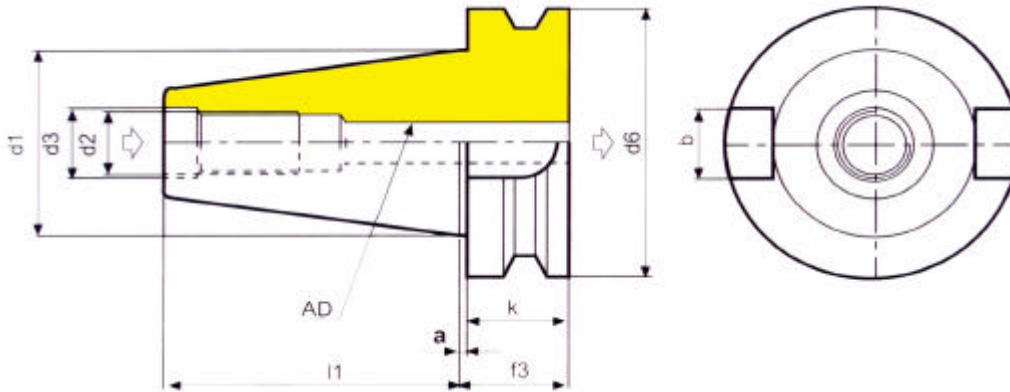




Rene Swiss Corporation

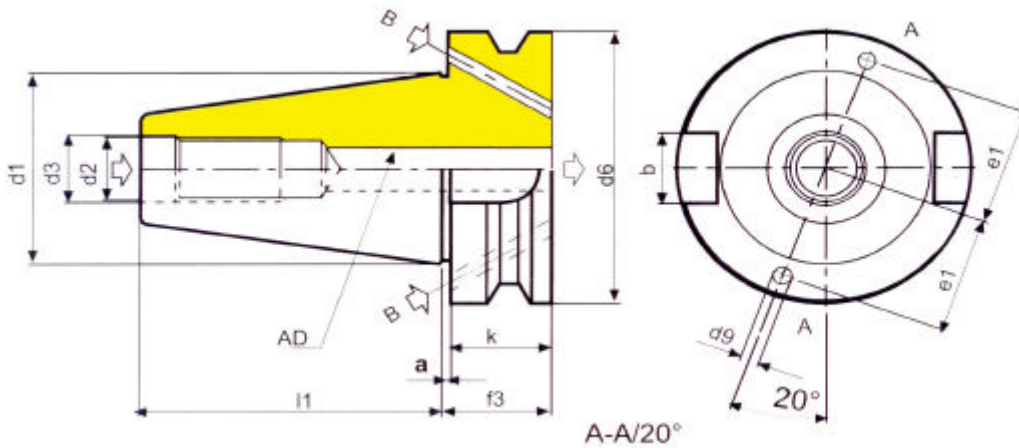
Shank Dimensions (7/24 Tapers)

Form AD



Taper	d1	d2	d3	d6	l1	a	k	f3	b
BT30	31.75	M12	12.5	46	48.4	2	20	22	16.1
BT40	44.45	M16	17	63	65.4	2	25	27	16.1
BT50	69.85	M24	25	100	3	3	35	38	25.7

Form AD + B

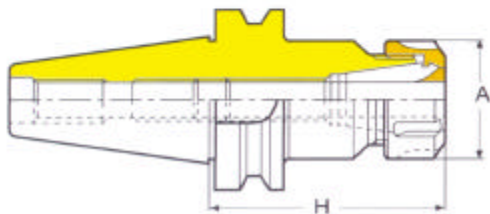
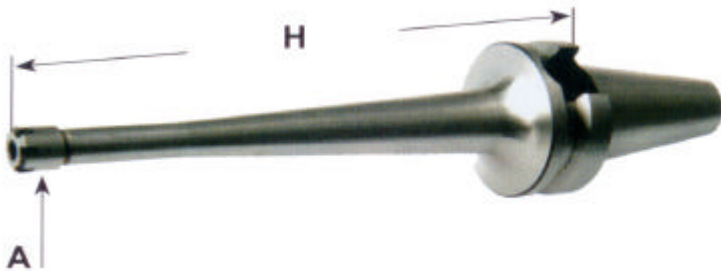


Taper	d9	e1	d1	d6	d2	a	k	f3	b
BTB30	4	21	31.75	46	M12	2	20	22	16.1
BTB40	4	27	44.45	63	M16	2	25	27	16.1
BTB50	6	42	69.85	42	M24	3	35	38	25.7



Rene Swiss Corporation

BT Tooling Collet Chucks



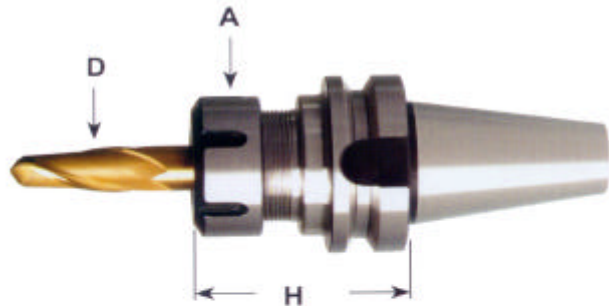
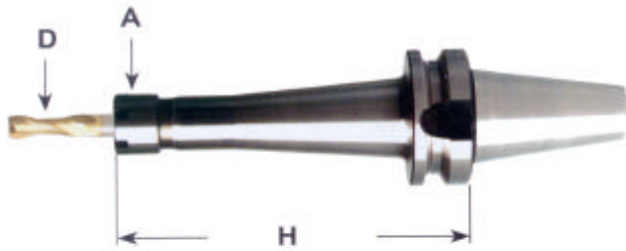
REF: 330-100 - Form AD Collets - Mini Nuts			
Order Number	A	D	
		min.	max.
BT30.H80.ERC8M	12	1	5
BT30.H127.ERC8M	12	1	5
BT30.H162.ERC8M	12	1	5
BT30.H80.ERC11M	16	1	7
BT30.H127.ERC11M	16	1	7
BT30.H120.ERC16M	22	1	10
BT40.H100.ERC25M	35	1	16
BT40.H150.ERC25M	35	1	16
BT40.H200.ERC25M	35	1	16

REF: 330-102 - Form AD Collets - Standard Nuts			
Order Number	A	D	
		min.	max.
BT30.H55.ERC16	28	1	10
BT30.H70.ERC16	28	1	10
BT30.H100.ERC16	28	1	10
BT30.H70.ERC20	34	1	13
BT30.H60.ERC25	42	1	16
BT30.H90.ERC25	42	1	16
BT30.H60.ERC32	50	2	20
BT30.H70.ERC32	50	2	20
BT30.H100.ERC32	50	2	20
BT40.H70.ERC11	19	1	7
BT40.H100.ERC11	19	1	7
BT40.H150.ERC11	19	1	7
BT40.H200.ERC11	19	1	7
BT40.H250.ERC11	19	1	7
BT40.H70.ERC25	42	1	16
BT40.H70.ERC32	50	2	20
BT50.H80.ERC32	63	2	20



Rene Swiss Corporation

BT Tooling Collet Chucks



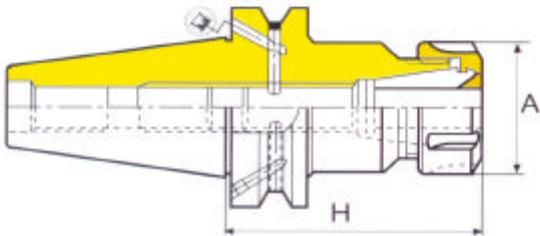
REF: 330-104 - Form AD+B Collets - Mini Nuts			
Order Number	A	D	
		min.	max.
BTB40.H100.ERC11M	16	1	7
BTB40.H125.ERC11M	16	1	7
BTB40.H150.ERC11M	16	1	7
BTB40.H100.ERC16M	22	1	10
BTB40.H125.ERC16M	22	1	10
BTB40.H150.ERC16M	22	1	10
BTB40.H100.ERC20M	28	1	13
BTB40.H135.ERC20M	28	1	13
BTB40.H150.ERC20M	28	1	13
BTB40.H100.ERC25M	35	1	16
BTB40.H135.ERC25M	35	1	16
BTB40.H150.ERC25M	35	1	16
BTB40.H200.ERC25M	35	1	16
BTB50.H135.ERC16M	22	1	10
BTB50.H160.ERC16M	22	1	10
BTB50.H135.ERC.20M	28	1	13

REF: 330-106 - Form AD+B Collets - Standard Nuts			
Order Number	A	D	
		min.	max.
BTB40.H70.ERC16	28	1	10
BTB40.H100.ERC16	28	1	10
BTB40.H150.ERC16	28	1	10
BTB40.H200.ERC16	28	1	10
BTB40.H70.ERC20	34	1	13
BTB40.H100.ERC20	34	1	13
BTB40.H150.ERC20	34	1	13
BTB40.H70.ERC25	42	1	16
BTB40.H100.ERC25	42	1	16
BTB40.H130.ERC25	42	1	16
BTB40.H160.ERC25	42	1	16
BTB40.H200.ERC25	42	1	16
BTB40.H70.ERC32	50	2	20
BTB40.H100.ERC32	50	2	20
BTB40.H130.ERC32	50	2	20
BTB40.H150.ERC32	50	2	20
BTB40.H200.ERC32	50	2	20



Rene Swiss Corporation

BT Tooling Collet Chucks



REF: 330-106 - Form AD+B Collets - Standard Nuts

Order Number	A	D	
		min.	max.
BTB50.H100.ERC16	28	1	10
BTB50.H160.ERC16	28	1	10
BTB50.H200.ERC16	28	1	10
BTB50.H100.ERC20	34	1	13
BTB50.H160.ERC20	34	1	13
BTB50.H200.ERC20	34	1	13
BTB50.H80.ERC25	42	1	16
BTB50.H100.ERC25	42	1	16
BTB50.H130.ERC25	42	1	16
BTB50.H160.ERC25	42	1	16
BTB50.H80.ERC32	50	2	20
BTB50.H100.ERC32	50	2	20
BTB50.H120.ERC32	50	2	20
BTB50.H160.ERC32	50	2	20
BTB50.H200.ERC32	50	2	20
BTB50.H250.ERC32	50	2	20



Rene Swiss Corporation

Rene Swiss Corporation



Product Catalog

ERC Collets

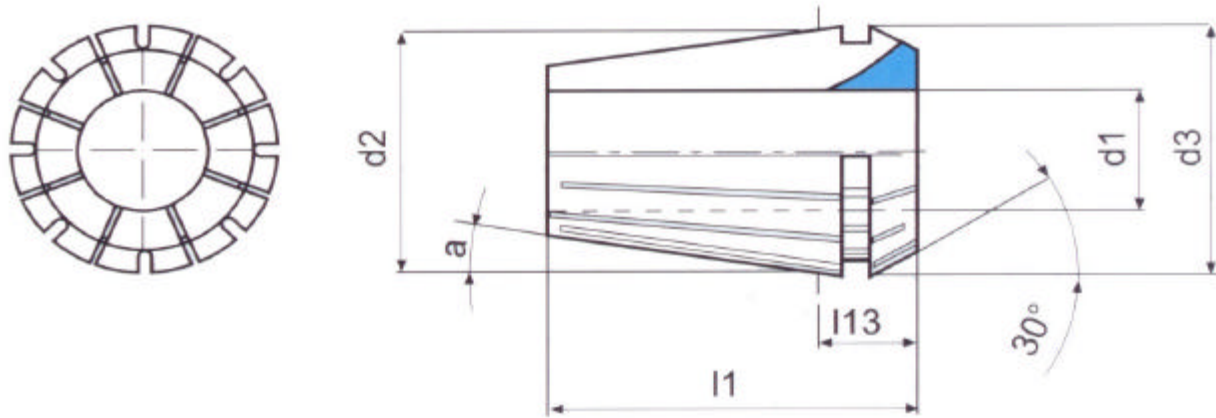
Phone: 203.879.4822
www.reneswiss.com

Fax: 203.879.0732
rachel@reneswiss.com

Rev. 3



Toolholding Collets



Order NR	d1 mm min - max	Gripping Range	d2	d3	a	l1	l13 max
ERC8 - 4004E	1 ÷ 5	0.5 mm	8	8.5	8°	13.5	4.5
ERC11 - 4008E	1 ÷ 7	0.5 mm	11	11.5	8°	18	6.6
ERC12 - 424E	1 ÷ 7	0.5 mm ÷ 1 mm	12	12	8°	19.5	9
ERC16 - 426E	1 ÷ 10	0.5 mm ÷ 1 mm	16	17	8°	27.5	10.5
ERC20 - 428E	1 ÷ 13	0.5 mm ÷ 1 mm	20	21	8°	31.5	11.5
ERC25 - 430E	1 ÷ 16	0.5 mm ÷ 1 mm	25	26	8°	34	12
ERC32 - 470E	2 ÷ 20	0.5 mm ÷ 1 mm	32	33	8°	40	13
ERC40 - 472E	3 ÷ 30	1 mm	40	41	8°	46	15
ERC50 - 477E	6 ÷ 34	2 mm	50	52	8°	60	21
ERC60 - 494E	12 ÷ 40	2 mm	60	61	10°	60	19.6
ERC90 - 495E	30 ÷ 60	2 mm	90	91	10°	89	24.6

• ERC 40, 50, 60, and 90 are available by special order only, and are not listed within

MANUFACTURING SPECIFICATIONS FOR ERC COLLETS

- Produced in Italy with top quality steel, quenched, tempered and in adherence to DIN 6499 and ISO 15488 specifications
- Hardness RC 46 ± 2
- Precision ground with CNC machines and tested with certified calibration gauges
- Are interchangeable with ESX, ER, BR, and more



Rene Swiss Corporation

ERC 8 • ERC 11 • Metric



REF.	ORDER NUMBER	REF.	ORDER NUMBER
Standard Precision Class 2		High Precision Class 1	
101-008	ERC8.D1	101-108	ERC8HP.D1
	ERC8.D1.5		ERC8HP.D1.5
4004 E	ERC8.D2	4004 E	ERC8HP.D2
	ERC8.D2.5		ERC8HP.D2.5
	ERC8.D3		ERC8HP.D3
	ERC8.D3.5		ERC8HP.D3.5
	ERC8.D4		ERC8HP.D4
	ERC8.D4.5		ERC8HP.D4.5
	ERC8.D5		ERC8HP.D5
101-011	ERC11.D1	101-111	ERC11HP.D1
	ERC11.D1.5		ERC11HP.D1.5
4008 E	ERC11.D2	4008 E	ERC11HP.D2
	ERC11.D2.5		ERC11HP.D2.5
	ERC11.D3		ERC11HP.D3
	ERC11.D3.5		ERC11HP.D3.5
	ERC11.D4		ERC11HP.D4
	ERC11.D4.5		ERC11HP.D4.5
	ERC11.D5		ERC11HP.D5
	ERC11.D5.5		ERC11HP.D5.5
	ERC11.D6		ERC11HP.D6
	ERC11.D6.5		ERC11HP.D6.5
	ERC11.D7		ERC11HP.D7

*pictures shown may not represent parts listed



Rene Swiss Corporation

ERC 12 • ERC 16 • Metric



REF.	ORDER NUMBER	REF.	ORDER NUMBER
Standard Precision Class 2		High Precision Class 1	
101-012	ERC12.D1	101-112	ERC12HP.D1
	ERC12.D1.5		ERC12HP.D1.5
424 E	ERC12.D2	424 E	ERC12HP.D2
	ERC12.D2.5		ERC12HP.D2.5
	ERC12.D3		ERC12HP.D3
	ERC12.D4		ERC12HP.D4
	ERC12.D5		ERC12HP.D5
	ERC12.D6		ERC12HP.D6
	ERC12.D7		ERC12HP.D7
101-016	ERC16.D1	101-116	ERC16HP.D1
	ERC16.D1.5		ERC16HP.D1.5
426 E	ERC16.D2	426 E	ERC16HP.D2
	ERC16.D2.5		ERC16HP.D2.5
	ERC16.D3		ERC16HP.D3
	ERC16.D3.5		ERC16HP.D3.5
	ERC16.D4		ERC16HP.D4
	ERC16.D4.5		ERC16HP.D4.5
	ERC16.D5		ERC16HP.D5
	ERC16.D5.5		ERC16HP.D5.5
	ERC16.D6		ERC16HP.D6
	ERC16.D6.5		ERC16HP.D6.5
	ERC16.D7		ERC16HP.D7
	ERC16.D7.5		ERC16HP.D7.5
	ERC16.D8		ERC16HP.D8
	ERC16.D8.5		ERC16HP.D8.5
	ERC16.D9		ERC16HP.D9
	ERC16.D9.5		ERC16HP.D9.5
	ERC16.D10		ERC16HP.D10

*pictures shown may not represent parts listed



Rene Swiss Corporation

ERC 16 • Fractional Inch



REF.	ORDER NUMBER	REF.	ORDER NUMBER
Standard Precision Class 2		High Precision Class 1	
101-216	ERC16.D1/16	101-316	ERC16HP.D1/16
	ERC16.D3/32		ERC16HP.D3/32
426 E	ERC16.D1/8	426 E	ERC16HP.D1/8
	ERC16.D5/32		ERC16HP.D5/32
	ERC16.D3/16		ERC16HP.D3/16
	ERC16.D7/32		ERC16HP.D7/32
	ERC16.D1/4		ERC16HP.D1/4
	ERC16.D9/32		ERC16HP.D9/32
	ERC16.D5/16		ERC16HP.D5/16
	ERC16.D11/32		ERC16HP.D11/32
	ERC16.D3/8		ERC16HP.D3/8
	ERC16.D13/32		ERC16HP.D13/32

*pictures shown may not represent parts listed



Rene Swiss Corporation

ERC 20 • Metric



REF.	ORDER NUMBER	REF.	ORDER NUMBER
Standard Precision Class 2		High Precision Class 1	
101-020	ERC20.D1	101-120	ERC20HP.D1
	ERC20.D1.5		ERC20HP.D1.5
428 E	ERC20.D2	428 E	ERC20HP.D2
	ERC20.D2.5		ERC20HP.D2.5
	ERC20.D3		ERC20HP.D3
	ERC20.D3.5		ERC20HP.D3.5
	ERC20.D4		ERC20HP.D4
	ERC20.D4.5		ERC20HP.D4.5
	ERC20.D5		ERC20HP.D5
	ERC20.D5.5		ERC20HP.D5.5
	ERC20.D6		ERC20HP.D6
	ERC20.D6.5		ERC20HP.D6.5
	ERC20.D7		ERC20HP.D7
	ERC20.D7.5		ERC20HP.D7.5
	ERC20.D8		ERC20HP.D8
	ERC20.D8.5		ERC20HP.D8.5
	ERC20.D9		ERC20HP.D9
	ERC20.D9.5		ERC20HP.D9.5
	ERC20.D10		ERC20HP.D10
	ERC20.D10.5		ERC20HP.D10.5
	ERC20.D11		ERC20HP.D11
	ERC20.D11.5		ERC20HP.D11.5
	ERC20.D12		ERC20HP.D12
	ERC20.D12.5		ERC20HP.D12.5
	ERC20.D13		ERC20HP.D13

*pictures shown may not represent parts listed



Rene Swiss Corporation

ERC 20 • Fractional Inch



REF.	ORDER NUMBER		REF.	ORDER NUMBER
Standard Precision Class 2			High Precision Class 1	
101-220	ERC20.D1/16		101-320	ERC20HP.D1/16
	ERC20.D3/32			ERC20HP.D3/32
428 E	ERC20.D1/8		428 E	ERC20HP.D1/8
	ERC20.D5/32			ERC20HP.D5/32
	ERC20.D3/16			ERC20HP.D3/16
	ERC20.D7/32			ERC20HP.D7/32
	ERC20.D1/4			ERC20HP.D1/4
	ERC20.D9/32			ERC20HP.D9/32
	ERC20.D5/16			ERC20HP.D5/16
	ERC20.D11/32			ERC20HP.D11/32
	ERC20.D3/8			ERC20HP.D3/8
	ERC20.D13/32			ERC20HP.D13/32
	ERC20.D7/16			ERC20HP.D7/16
	ERC20.D15/32			ERC20HP.D15/32
	ERC20.D1/2			ERC20HP.D1/2

*pictures shown may not represent parts listed



Rene Swiss Corporation

ERC 25 • Metric



REF.	ORDER NUMBER	REF.	ORDER NUMBER
Standard Precision Class 2		High Precision Class 1	
101-025	ERC25.D1	101-125	ERC25HP.D1
	ERC25.D1.5		ERC25HP.D1.5
430 E	ERC25.D2	430 E	ERC25HP.D2
	ERC25.D2.5		ERC25HP.D2.5
	ERC25.D3		ERC25HP.D3
	ERC25.D3.5		ERC25HP.D3.5
	ERC25.D4		ERC25HP.D4
	ERC25.D4.5		ERC25HP.D4.5
	ERC25.D5		ERC25HP.D5
	ERC25.D5.5		ERC25HP.D5.5
	ERC25.D6		ERC25HP.D6
	ERC25.D6.5		ERC25HP.D6.6
	ERC25.D7		ERC25HP.D7
	ERC25.D7.5		ERC25HP.D7.5
	ERC25.D8		ERC25HP.D8
	ERC25.D8.5		ERC25HP.D8.5
	ERC25.D9		ERC25HP.D9
	ERC25.D9.5		ERC25HP.D9.5
	ERC25.D10		ERC25HP.D10
	ERC25.D10.5		ERC25HP.D10.5
	ERC25.D11		ERC25HP.D11
	ERC25.D11.5		ERC25HP.D11.5
	ERC25.D12		ERC25HP.D12
	ERC25.D12.5		ERC25HP.D12.5
	ERC25.D13		ERC25HP.D13
	ERC25.D13.5		ERC25HP.D13.5
	ERC25.D14		ERC25HP.D14
	ERC25.D14.5		ERC25HP.D14.5
	ERC25.D15		ERC25HP.D15
	ERC25.D15.5		ERC25HP.D15.5
	ERC25.D16		ERC25HP.D16

*pictures shown may not represent parts listed



Rene Swiss Corporation

ERC 25 • Fractional Inch



REF.	ORDER NUMBER		REF.	ORDER NUMBER
Standard Precision Class 2			High Precision Class 1	
101-225	ERC25.D1/16		101-325	ERC25HP.D1/16
	ERC25.D3/32			ERC25HP.D3/32
430 E	ERC25.D1/8		430 E	ERC25HP.D1/8
	ERC25.D5/32			ERC25HP.D5/32
	ERC25.D3/16			ERC25HP.D3/16
	ERC25.D7/32			ERC25HP.D7/32
	ERC25.D1/4			ERC25HP.D1/4
	ERC25.D9/32			ERC25HP.D9/32
	ERC25.D5/16			ERC25HP.D5/16
	ERC25.D11/32			ERC25HP.D11/32
	ERC25.D3/8			ERC25HP.D3/8
	ERC25.D13/32			ERC25HP.D13/32
	ERC25.D7/16			ERC25HP.D7/16
	ERC25.D15/32			ERC25HP.D15/32
	ERC25.D1/2			ERC25HP.D1/2
	ERC25.D17/32			ERC25HP.D17/32
	ERC25.D9/16			ERC25HP.D9/16
	ERC25.D19/32			ERC25HP.D19/32
	ERC25.D5/8			ERC25HP.D5/8

*pictures shown may not represent parts listed



Rene Swiss Corporation

ERC 32 • Metric



REF.	ORDER NUMBER	REF.	ORDER NUMBER
Standard Precision Class 2		High Precision Class 1	
101-032	ERC32.D2	101-132	ERC32HP.D2
	ERC32.D2.5		ERC32HP.D2.5
470 E	ERC32.D3	470 E	ERC32HP.D3
	ERC32.D3.5		ERC32HP.D3.5
	ERC32.D4		ERC32HP.D4
	ERC32.D4.5		ERC32HP.D4.5
	ERC32.D5		ERC32HP.D5
	ERC32.D5.5		ERC32HP.D5.5
	ERC32.D6		ERC32HP.D6
	ERC32.D6.5		ERC32HP.D6.6
	ERC32.D7		ERC32HP.D7
	ERC32.D7.5		ERC32HP.D7.5
	ERC32.D8		ERC32HP.D8
	ERC32.D8.5		ERC32HP.D8.5
	ERC32.D9		ERC32HP.D9
	ERC32.D9.5		ERC32HP.D9.5
	ERC32.D10		ERC32HP.D10
	ERC32.D10.5		ERC32HP.D10.5
	ERC32.D11		ERC32HP.D11
	ERC32.D11.5		ERC32HP.D11.5
	ERC32.D12		ERC32HP.D12
	ERC32.D12.5		ERC32HP.D12.5
	ERC32.D13		ERC32HP.D13
	ERC32.D13.5		ERC32HP.D13.5
	ERC32.D14		ERC32HP.D14
	ERC32.D14.5		ERC32HP.D14.5
	ERC32.D15		ERC32HP.D15
	ERC32.D15.5		ERC32HP.D15.5
	ERC32.D16		ERC32HP.D16
	ERC32.D16.5		ERC32HP.D16.5
	ERC32.D17		ERC32HP.D17
	ERC32.D17.5		ERC32HP.D17.5
	ERC32.D18		ERC32HP.D18
	ERC32.D18.5		ERC32HP.D18.5
	ERC32.D19		ERC32HP.D19
	ERC32.D19.5		ERC32HP.D19.5
	ERC32.D20		ERC32HP.D20

*pictures shown may not represent parts listed



Rene Swiss Corporation

ERC 32 • Fractional Inch



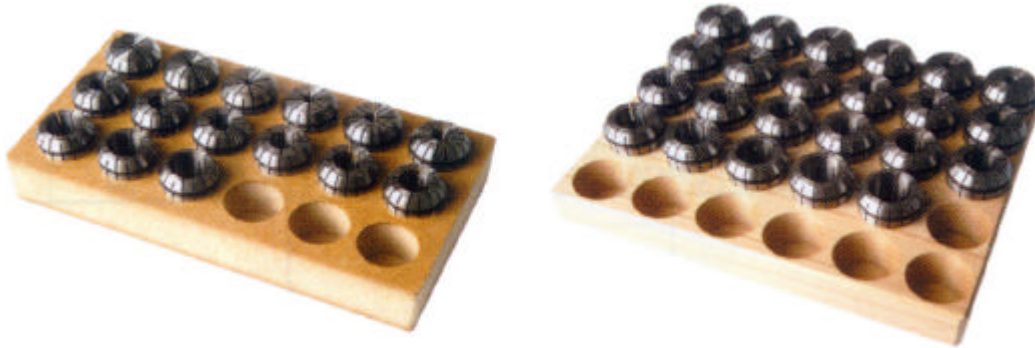
REF.	ORDER NUMBER	REF.	ORDER NUMBER
Standard Precision Class 2		High Precision Class 1	
101-232	ERC32.D1/16	101-332	ERC32HP.D1/16
	ERC32.D3/32		ERC32HP.D3/32
470 E	ERC32.D1/8	470 E	ERC32HP.D1/8
	ERC32.D5/32		ERC32HP.D5/32
	ERC32.D3/16		ERC32HP.D3/16
	ERC32.D7/32		ERC32HP.D7/32
	ERC32.D1/4		ERC32HP.D1/4
	ERC32.D9/32		ERC32HP.D9/32
	ERC32.D5/16		ERC32HP.D5/16
	ERC32.D11/32		ERC32HP.D11/32
	ERC32.D3/8		ERC32HP.D3/8
	ERC32.D13/32		ERC32HP.D13/32
	ERC32.D7/16		ERC32HP.D7/16
	ERC32.D15/32		ERC32HP.D15/32
	ERC32.D1/2		ERC32HP.D1/2
	ERC32.D17/32		ERC32HP.D17/32
	ERC32.D9/16		ERC32HP.D9/16
	ERC32.D19/32		ERC32HP.D19/32
	ERC32.D5/8		ERC32HP.D5/8
	ERC32.D21/32		ERC32HP.D21/32
	ERC32.D11/16		ERC32HP.D11/16
	ERC32.D23/32		ERC32HP.D23/32
	ERC32.D3/4		ERC32HP.D3/4

*pictures shown may not represent parts listed



Rene Swiss Corporation

Standard Precision Class 2 Sets • Metric



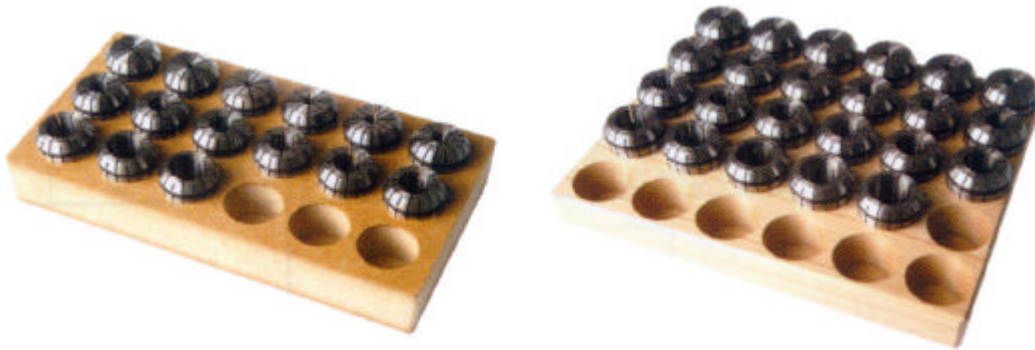
REF.	ORDER NUMBER	COLLET SIZES IN SET							
110-008	TY.ERC8-9	D.	1	1.5	2	2.5	3	3.5	4
		D.	4.5	5					
110-011	TY.ERC11-13	D.	1	1.5	2	2.5	3	3.5	4
		D.	4.5	5	5.5	6	6.5	7	
110-012	TY.ERC12-9	D.	1	1.5	2	2.5	3	4	5
		D.	6	7					
110-016	TY.ERC16-8	D.	3	4	5	6	7	8	9
		D.	10						
	TY.ERC16-10	D.	1	2	3	4	5	6	7
		D.	8	9	10				
	TY.ERC16-12	D.	1	1.5	2	2.5	3	4	5
		D.	6	7	8	9	10		
110-020	TY.ERC20-7	D.	3	4	5	6	8	10	12
	TY.ERC20-12	D.	2	3	4	5	6	7	8
		D.	9	10	11	12	13		
	TY.ERC20-15	D.	1	1.5	2	2.5	3	4	5
		D.	6	7	8	9	10	11	12
D.	13								
110-025	TY.ERC25-6	D.	4	6	8	10	12	16	
	TY.ERC25-15	D.	2	3	4	5	6	7	8
		D.	9	10	11	12	13	14	15
		D.	16						
	TY.ERC25-18	D.	1	1.5	2	2.5	3	4	5
		D.	6	7	8	9	10	11	12
D.		13	14	15	16				
110-032	TY.ERC32-6	D.	6	8	10	12	16	20	
	TY.ERC32-18	D.	3	4	5	6	7	8	9
		D.	10	11	12	13	14	15	16
		D.	17	18	19	20			
	TY.ERC32-20	D.	2	2.5	3	4	5	6	7
		D.	8	9	10	11	12	13	14
D.		15	16	17	18	19	20		

*pictures shown may not represent parts listed



Rene Swiss Corporation

Standard Precision Class 2 Sets • Fractional Inch



REF.	ORDER NUMBER	COLLET SIZES IN SET							
110-216	TY.ERC16-6P	D.	1/16	1/8	3/16	1/4	5/16	3/8	
	TY.ERC16-12P	D.	1/16	3/32	1/8	5/32	3/16	7/32	1/4
D.		9/32	5/16	11/32	3/8	13/32			
110-220	TY.ERC20-8P	D.	1/16	1/8	3/16	1/4	5/16	3/8	7/16
		D.	1/2						
	TY.ERC20-15P	D.	1/16	3/32	1/8	5/32	3/16	7/32	1/4
		D.	9/32	5/16	11/32	3/8	13/32	7/16	15/32
D.	1/2								
110-225	TY.ERC25-10P	D.	1/16	1/8	3/16	1/4	5/16	3/8	7/16
		D.	1/2	9/16	5/8				
	TY.ERC25-19P	D.	1/16	3/32	1/8	5/32	3/16	7/32	1/4
		D.	9/32	5/16	11/32	3/8	13/32	7/16	15/32
D.	1/2	17/32	9/16	19/32	5/8				
110-232	TY.ERC32-11P	D.	1/8	3/16	1/4	5/16	3/8	7/16	1/2
		D.	9/16	5/8	11/16	3/4			
	TY.ERC32-22P	D.	3/32	1/8	5/32	3/16	7/32	1/4	9/32
		D.	5/16	11/32	3/8	13/32	7/16	15/32	1/2
		D.	17/32	9/16	19/32	5/8	21/32	11/16	23/32
		D.	3/4						

*pictures shown may not represent parts listed



Rene Swiss Corporation

High Precision Class 1 Sets • Metric



REF.	ORDER NUMBER	COLLET SIZES IN SET							
110-108	TY.ERC8HP-9	D.	1	1.5	2	2.5	3	3.5	4
		D.	4.5	5					
110-111	TY.ERC11HP-13	D.	1	1.5	2	2.5	3	3.5	4
		D.	4.5	5	5.5	6	6.5	7	
110-112	TY.ERC12HP-9	D.	1	1.5	2	2.5	3	4	5
		D.	6	7					
110-116	TY.ERC16HP-8	D.	3	4	5	6	7	8	9
		D.	10						
	TY.ERC16HP-10	D.	1	2	3	4	5	6	7
		D.	8	9	10				
	TY.ERC16HP-12	D.	1	1.5	2	2.5	3	4	5
		D.	6	7	8	9	10		
110-120	TY.ERC20HP-7	D.	3	4	5	6	8	10	12
	TY.ERC20HP-12	D.	2	3	4	5	6	7	8
		D.	9	10	11	12	13		
	TY.ERC20HP-15	D.	1	1.5	2	2.5	3	4	5
		D.	6	7	8	9	10	11	12
		D.	13						
110-125	TY.ERC25HP-6	D.	4	6	8	10	12	16	
	TY.ERC25HP-15	D.	2	3	4	5	6	7	8
		D.	9	10	11	12	13	14	15
		D.	16						
	TY.ERC25HP-18	D.	1	1.5	2	2.5	3	4	5
		D.	6	7	8	9	10	11	12
D.		13	14	15	16				
110-132	TY.ERC32HP-6	D.	6	8	10	12	16	20	
	TY.ERC32HP-18	D.	3	4	5	6	7	8	9
		D.	10	11	12	13	14	15	16
		D.	17	18	19	20			
	TY.ERC32HP-20	D.	2	2.5	3	4	5	6	7
		D.	8	9	10	11	12	13	14
D.		15	16	17	18	19	20		

*pictures shown may not represent parts listed



Rene Swiss Corporation

High Precision Class 1 Sets • Fractional Inch



REF.	ORDER NUMBER	COLLET SIZES IN SET							
110-316	TY.ERC16HP-6P	D.	1/16	1/8	3/16	1/4	5/16	3/8	
	TY.ERC16HP-12P	D.	1/16	3/32	1/8	5/32	3/16	7/32	1/4
		D.	9/32	5/16	11/32	3/8	13/32		
110-320	TY.ERC20HP-7P	D.	1/8	3/16	1/4	5/16	3/8	7/16	1/2
	TY.ERC20HP-13P	D.	1/8	5/32	3/16	7/32	1/4	9/32	5/16
		D.	11/32	3/8	13/32	7/16	15/32	1/2	
110-325	TY.ERC25HP-9P	D.	1/8	3/16	1/4	5/16	3/8	7/16	1/2
		D.	9/16	5/8					
	TY.ERC25HP-17P	D.	1/8	5/32	3/16	7/32	1/4	9/32	5/16
		D.	11/32	3/8	13/32	7/16	15/32	1/2	17/32
		D.	9/16	19/32	5/8				
110-332	TY.ERC32HP-11P	D.	1/8	3/16	1/4	5/16	3/8	7/16	1/2
		D.	9/16	5/8	11/16	3/4			
	TY.ERC32HP-21P	D.	1/8	5/32	3/16	7/32	1/4	9/32	5/16
		D.	11/32	3/8	13/32	7/16	15/32	1/2	17/32
		D.	9/16	19/32	5/8	21/32	11/16	23/32	3/4

*pictures shown may not represent parts listed



Rene Swiss Corporation
14 Townline Road
Wolcott, CT 06716

Tel. 203.879.4822
Fax. 203.879.0732

www.reneswiss.com
rachel@reneswiss.com